

EVEREST PLAN

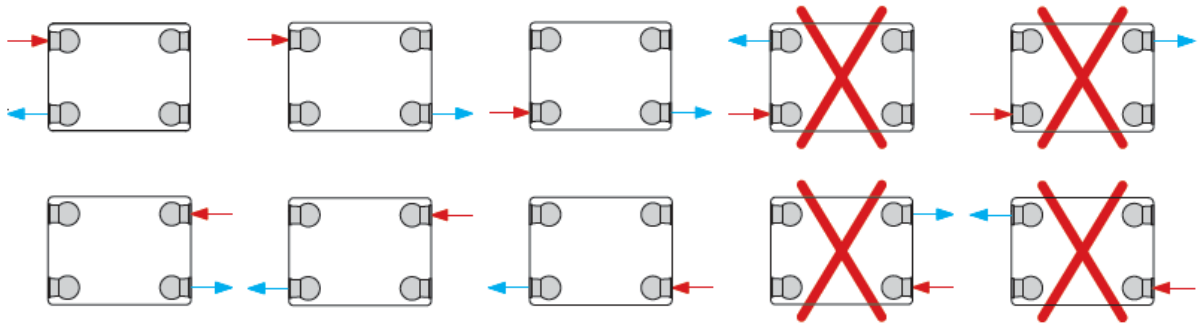
The flat front and closely fitting decorative upper grille and side panels of the Everest Plan result in a sleek and timeless design. The Everest Plan, Compact Plan and Alto Plan complement each other perfectly in creating a nice clean interior throughout your home. Moreover this radiator can be connected either as a valve or as a compact radiator.

Product:	decorative valve radiator with a flat front
Finishing:	decorative flat front, upper grille and side panels
Pre-installed:	preset Heimeier 4368 or 4369 valve insert, air vent and blind plugs
Valve insert:	<p>The integrated adjustable valve insert (without thermostatic head) is factory-fit on the right side of the radiator, CEN certified, tested in accordance with EN215 and compatible with thermostatic heads M30 x 1,5 mm.</p> <p>The thermostatic valve insert is factory-set in relation to the size of the radiator. This presetting ensures optimum throughput in the radiator. Factory setting for two-pipe systems, also suitable for one-pipe systems (as long as the valve insert is adjusted to position 8).</p>
Also supplied:	VDI brackets (type Monclac), screws, plugs and assembly instructions
Connections:	6 x ½" female connection (2 x ½" lateral bottom connection included). A left version is available on request.
Lugs:	2 pairs of mounting lugs up to 1.600 mm and 3 pairs from 1.800 mm
Packaging:	Every radiator is sturdily packaged in high-quality cardboard and wrapped in plastic. The radiator's characteristics are shown on the label: type – height – length.
Warranty:	10 years, as long as the installation instructions have been followed and Henrad's warranty conditions have been met.
Paint process:	All radiators are degreased, phosphated, cataphoretically primed and powder-coated in Henrad white 9016 as standard.
Colours:	Henrad white 9016 + 35 different Henrad colours and about 200 RAL-colours are possible
Max. operating pressure:	10 bar (tested to 13 bar)
Max. operating temperature:	110 °C
Conformity:	in accordance with EN442
Quality assurance:	NF
Types:	11 21 22 33
Heights:	300 400 500 600 700 900 mm
Lengths:	400 – 3.000 mm
Depths:	63 79 102 160 mm

CONNECTION POSSIBILITIES

without integrated valve insert

Standard · Sanirad · Compact · RenoRad · Premium · Everest Plan · Everest Line



Remark:

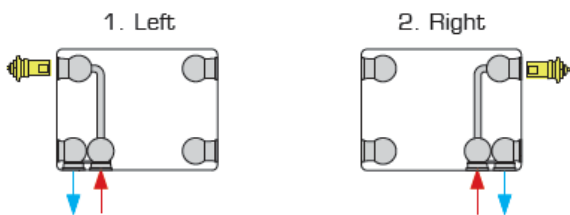
With these connection possibilities the valve insert has to be removed from:
 · Premium · Everest Plan · Everest Line

The plastic plugs have to be removed entirely from the connections

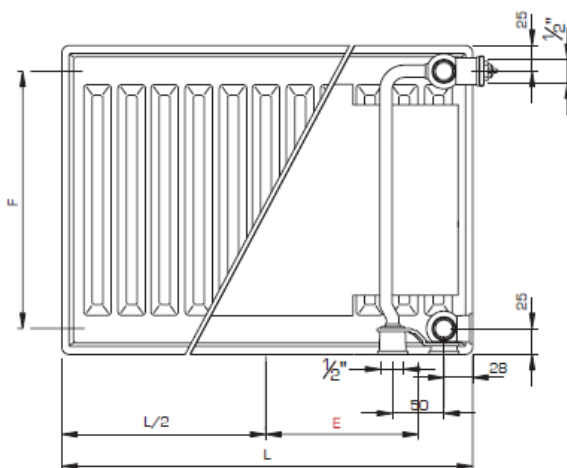
CONNECTION POSSIBILITIES

with integrated valve insert

Premium · Everest Plan · Everest Line



GENERAL RULE FOR RADIATORS WITH INTEGRATED VALVE INSERT:
 The inlet is situated the farthest from the valve.



L (mm)	400	500	600	700	800	900	1000	1100	1200	1400	1600	1800	2000	2200	2400	2600	2800	3000
E (mm)	147	197	247	297	347	397	447	497	547	647	747	847	947	1047	1147	1247	1347	1447